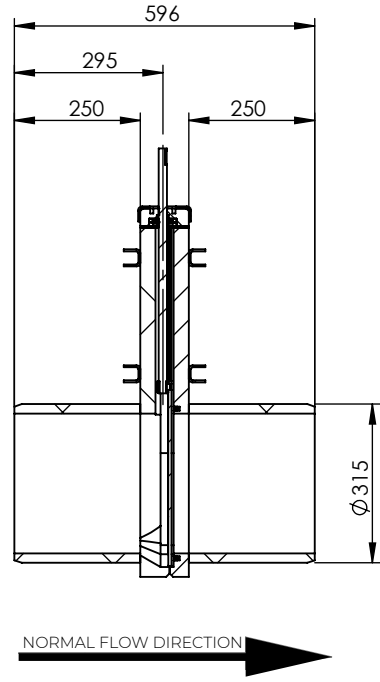
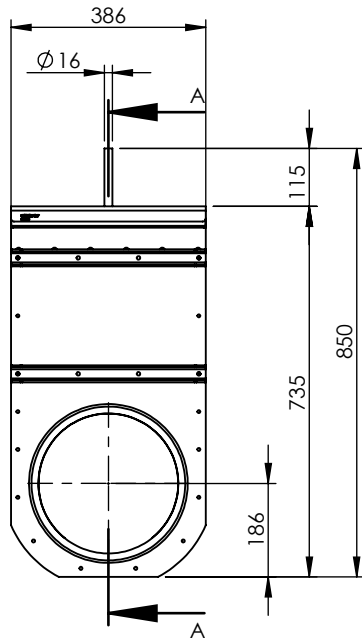
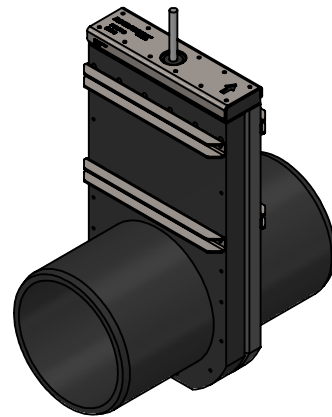
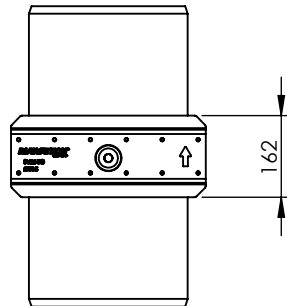


© 2022 Riawatech A/S. This document is subject to copyrights owned by Riawatech A/S. Any amendments, republication, retransmission, and/or reproduction of all or any part of the document is expressly prohibited, unless the copyright owner of the material has expressly granted its prior written consent. All other rights are reserved.



A-A



Approval Signature: \_\_\_\_\_

Date: \_\_\_\_\_

√	Article No.	Knife gate material	Spindle material	Reinforcement material		
	V70076315	EN1.4404 / AISI 316	EN1.4404 / AISI 316	EN1.4404 / AISI 316		
	V70078315	EN1.4462 / AISI 2205	EN1.4462 / AISI 2205	EN1.4404 / AISI 316		
	V70079315	EN1.4462 / AISI 2205	EN1.4462 / AISI 2205	EN1.4462 / AISI 2205		
Designed By PW	Approved By PW	Created Date 2022-08-29	Units [mm]	General Tolerance ISO 2768-1 m	Scale 1:15	
Material See table	Comment PE100 SDR17				Updated 2022-08-29	
Weight [kg] 36.02	Box Volume [m³]		Description RIA Stop valve SVM-TG Ø315			
 <small>WAPRO GROUP</small> <a href="http://www.riawatech.com">www.riawatech.com</a>			Article Number See table	Drawing Number svm-tg-Ø315-en	Rev A	Sheet 1 (1)