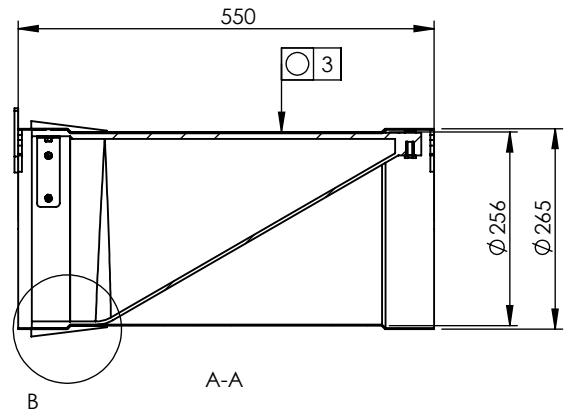
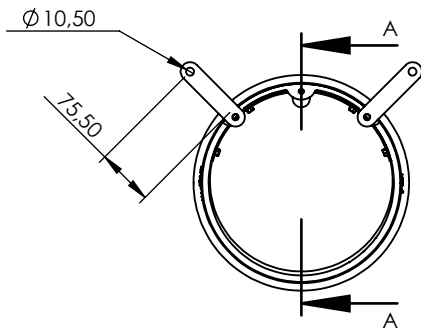
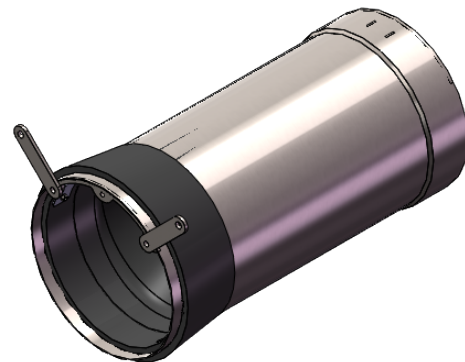
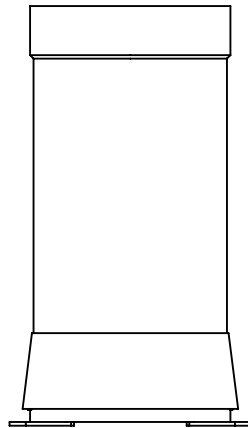
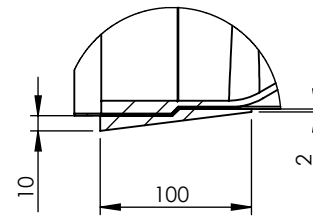



Rev	Note	CreatedBy	Appr.By	Appr.Date
A	Initial release	AE	PW	2019-04-02



DETAIL B
SCALE 1 : 5



© 2018 Wapro AB. This document is subject to copyrights owned by Wapro AB. Any amendments, republication, retransmission, and/or reproduction of all or any part of the document is expressly prohibited, unless the copyright owner of the material has expressly granted its prior written consent. All other rights are reserved.

Designed By AE	Approved By	Created Date 2019-04-02	Units [mm]	General Tolerance ISO 13920A	Scale 1:10	
Material EN 1.4301 / EN 1.4404			Comments		Project	
Weight [kg] 9,35		Box Volume [m³] 0,05	Description WaStop DN270 Mounting tabs and rubber seal			
 www.wapro.com			Article Number WS265-S	Drawing Number ws265-s-en	Rev A	Sheet 1 (1)